



MF 2000

### ***Mobile weld-fume filter for temporary worksites***

The Fumex weld-fume filter MF is a handy tool for temporary worksites.

The mobile filter MF offers a high level of filtration and high extraction capacity. It is equipped with a gas spring balanced extraction arm (PR), 2 alt. 3 meters long.

The smooth inside of the extraction arm helps reduce the risk of ducts being blocked.

All necessary adjustments can easily be taken care of from the outside

Carbon filter cartridges for gas-mixed air are available on request.

The filter is easily maneuverable due to four pivot wheels.

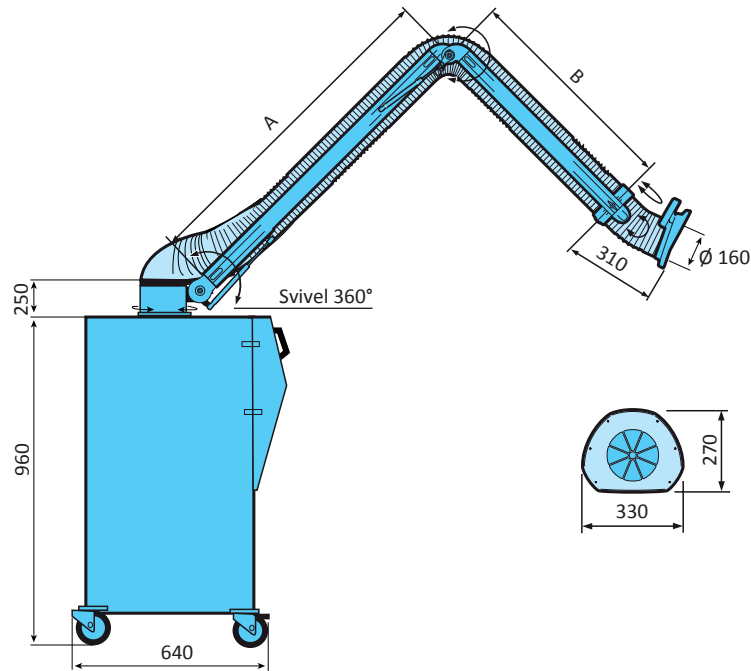
N.B! The portable filter is not intended for extraction of liquids!

Extraction capacity: about 1200m<sup>3</sup>/h with PR-arm Ø 160mm.

The fumex MF filter is delivered with cable and plug for 1-phase 230 V ~ connection, alt. 1-phase 115 V ~ connection.

*2 different options available,*  
MF 2000 With a PR 2000-160  
or  
MF 3000 with a PR 3000-160

*The Fumex range also includes fans, accessories, automatic control gear and filters for extraction*



Part no:	A (mm)	B (mm)	Ø (mm)	Weight (kg)
MF 2000	950	490	160	67
MF 3000	1450	490	160	69

## Performance

Capacity	about 1200m <sup>3</sup> /h with PR-arm Ø160mm
Motor Power	0,75 kW, 2800rpm 1-phase 230 V~ 50Hz alt. 1-phase 115 V ~ 60Hz

## Filter

Filter standard	>98% acc. to DOP
Filter accessory	Carbon filter
Filter area	14m <sup>2</sup>

## Filter house

Height x Width x Depth	960x470x640 mm
------------------------	----------------

## Hose

Qualities	Non-inflammable, suitable for welding fumes and flue gas
Temperature range	-10°C to +90°C

## Gas spring

Work temperature	+20°C
Temperature range	-40°C to +90°C

## Other

Surface treatment of sheet metal parts	Powder coating
Weight	67 kg

## Filter holder

Made of powder coated sheet steel with four pivot wheels (two lockable).

## Filter

Cartridge filter, 2 layer, flame-resistant

## Accessories

Carbon filter.

## Hose

Made of spring coil completely embedded in PVC-coated polyamide fabric.

For other hose qualities, contact FUMEX.

## Delivery Design

Supplied complete with cable and plug.

# FUMEX®

# PICHLER

Cesta k Tamu 26, 2000 MARIBOR  
Tel.: 02/460-13-50, Fax: 02/460-13-55  
www.pichler.si, pichler@pichler.si